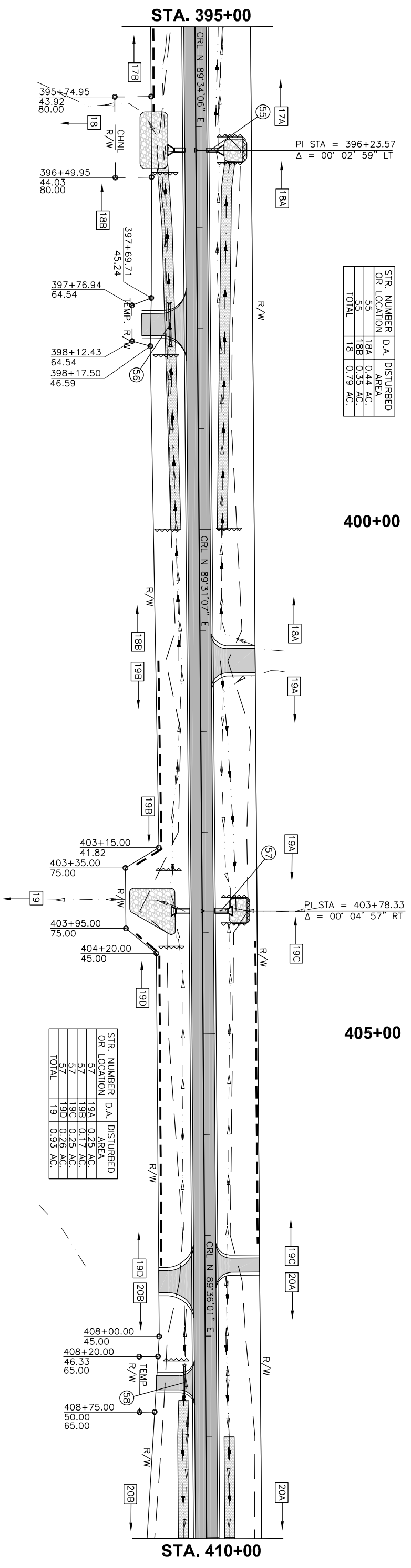


FED. ROAD DIST. NO.	PROJECT NO.	SHEET NO.	TOTAL SHEETS
6		R012	130

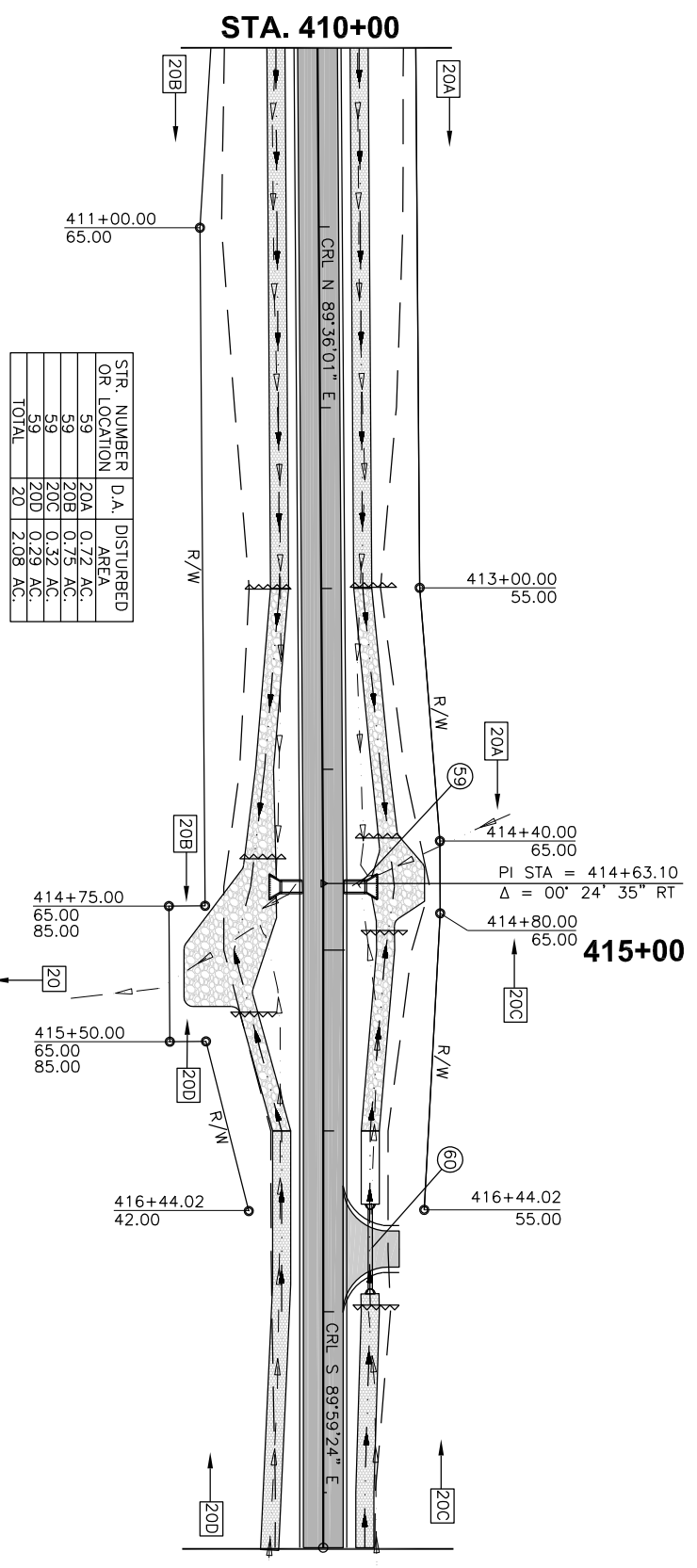
STR. NUMBER OR LOCATION	D.A.	DISTURBED AREA
55	18A	0.44 AC.
55	18B	0.35 AC.
TOTAL	18	0.79 AC.

400+00

405+00



STR. NUMBER OR LOCATION	D.A.	DISTURBED AREA
57	19A	0.25 AC.
57	19B	0.17 AC.
57	19C	0.25 AC.
57	19D	0.26 AC.
TOTAL	19	0.93 AC.



STR. NUMBER OR LOCATION	D.A.	DISTURBED AREA
59	20A	0.72 AC.
59	20B	0.75 AC.
59	20C	0.32 AC.
59	20D	0.26 AC.
TOTAL	20	2.06 AC.

LEGEND

- TEMPORARY SILT FENCE
- TEMPORARY SILT DIKE
- SOLID SLAB SOD DITCH
- NYLON MAT
- RIPRAP

QUANTITIES
SEE SUMMARY OF EROSION CONTROL
QUANTITIES, SHEET NUMBER AX03



OSWALT ROAD
EROSION CONTROL PLAN
SHEET 11 OF 11
JOB PIECE NO. 25447(04) SHEET NO. R012